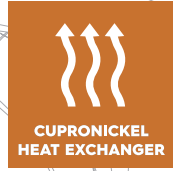
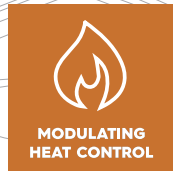


# ICI

## SWIMMING POOL GAS HEATER

The AstralPool ICI Gas Heater is the first of our Next Generation gas heater range. With the option of Natural or LPG gas, the ICI is available in 200MJ/h and 400MJ/h sizes with indoor and outdoor models to suit every pool owners needs.



# ICI SWIMMING POOL GAS HEATER

The AstralPool ICI Gas Heater is the first of our Next Generation gas heater range. With the option of Natural or LPG gas, the ICI is available in 200MJ/h and 400MJ/h sizes with indoor and outdoor models to suit every pool owners needs.

The ICI is also the only full-modulating mid-efficiency heater on the market, meaning that it can modulate its heating capacity to ensure a smooth steady control of heat to the water. This can assist with increasing life of product and reduce maintenance costs. Comes factory-fitted with standard AstralPool connections for easy plumbing installation, plus easy connectivity in the AstralPool Viron connect automation system, putting control in the palm of your hand.

## REDUCED WATER-FLOW

Helping you to reduce your water usage.

## CUPRO-NICKEL HEAT EXCHANGER

Ensures a long life and steady direct heat up of the water

## 83% EFFICIENCY RATING

Gives great performance with minimal energy loss

## RIGOROUSLY TESTED BURNER

New Ceramic mesh burner for greatly increased performance

## FULL LED DISPLAY

Easy to read and control the output

## SMALLEST FOOTPRINT

The ICI Gas Heater boasts the smallest footprint on the market

## SIMPLIFIED ENGINEERING

Reduced number of components for easier servicing and installation

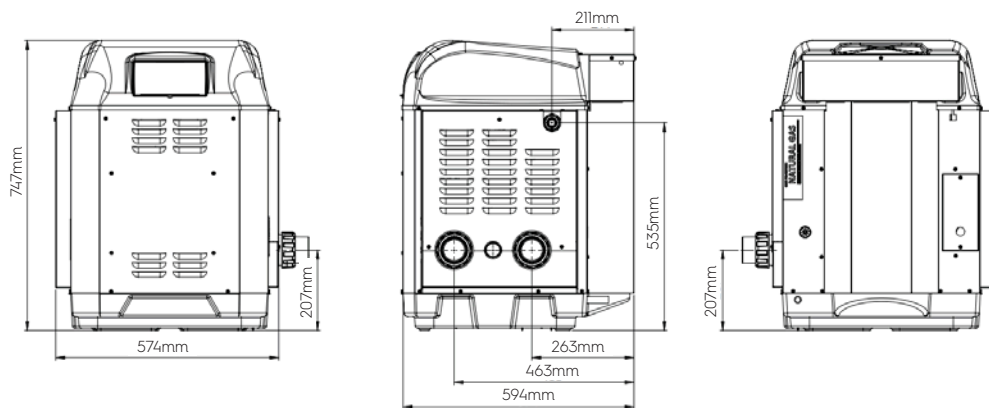
## CONNECTION AND CONNECTIVITY

Plumbs directly to any AstralPool filtration system and direct communication to the Viron Connect Automation system. Allowing you to control direct from the palm of your hand

## WARRANTY

For warranty period, please refer to [www.astralpool.com.au/warranty-information](http://www.astralpool.com.au/warranty-information).

## DIMENSIONS



## TECHNICAL INFORMATION

Model	ICI 200C	ICI 400C
Gas Inlet Rate	215 MJ/hr	400 MJ/hr
Gas Connection	AS/NZ 5601	AS/NZ 5601
Gas Usage Rate of Nominal Rate (must be within %)	+/- 5	+/- 5
NG Inlet Static Gas Pressure (kPa)	1.13 - 5	1.13 - 5
LPG Inlet Static Gas Pressure (kPa)	2.75 - 5	2.75 - 5
NG Gas Inlet Operating Pressure - High Fire (kPa)	1.13	1.13
LPG Gas Inlet Operating Pressure - High Fire (kPa)	2.75	2.75
Water Flow Rate (lpm)	140-500	250-500
Min Water Operating Pressure (kPa)	48	48
Water pH	7.6 - 7.8	7.6 - 7.8
Water Total Alkalinity (ppm)	80 - 120	80 - 120
Water Calcium Hardness (ppm)	100 - 350	100 - 350
Water Salinity (ppm)	5000 max.	5000 max.
Chlorine Maximum Content (ppm)	3	3
Bromine Maximum Content (ppm)	5	5
Air-Free NG - CO Level (ppm)	30 - 60	30 - 60
Air-Free LPG - CO Level (ppm)	50 - 150	50 - 150